

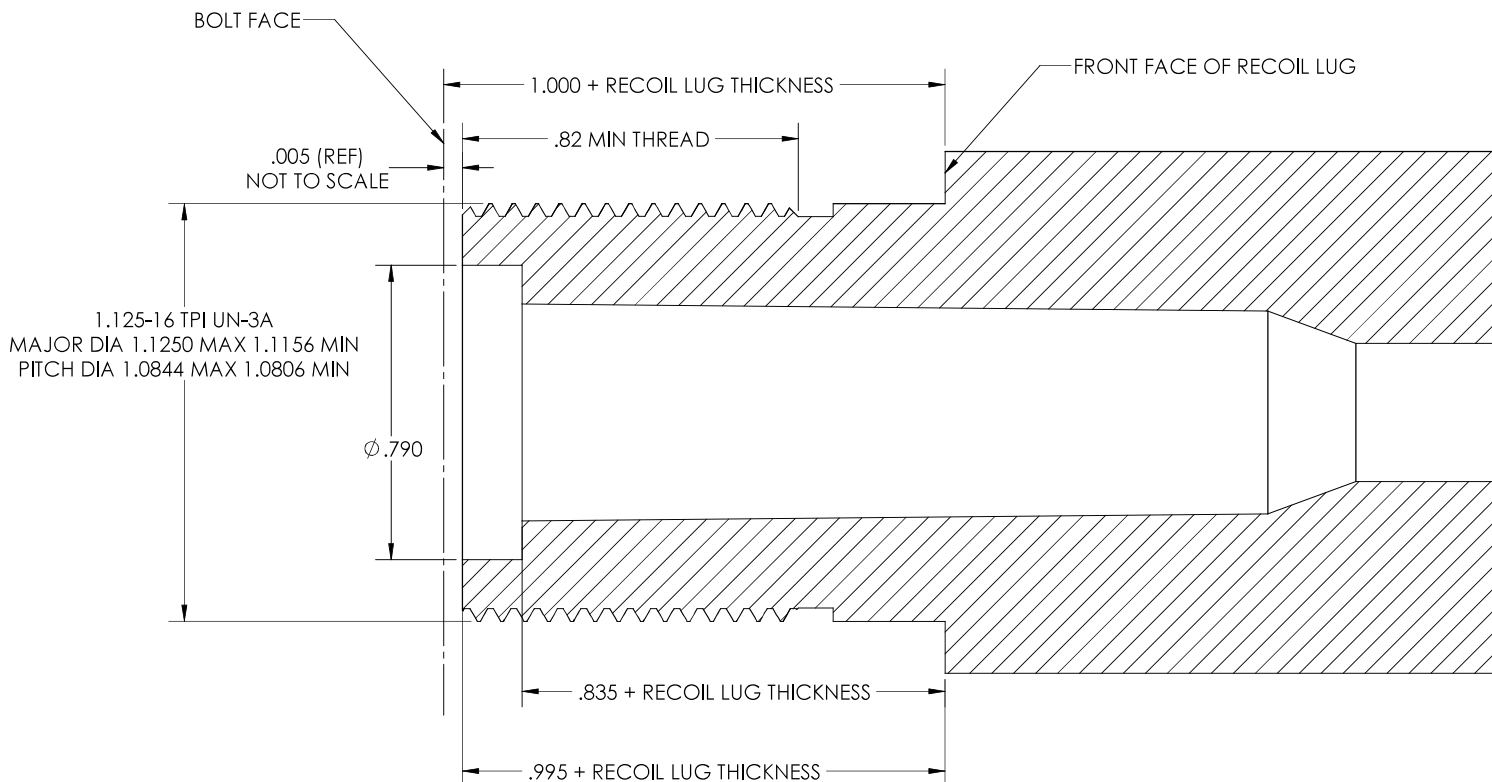
8 7 6 5 4 3 2 1

D

C

B

A



1. DIMENSIONS ALLOW .005 CLEARANCE TO BOLT AS SHOWN
2. STANDARD RECOIL LUGS ARE .300 THICK
3. THIS DRAWING IS PROVIDED FOR REFERENCE ONLY. FITTING OF BARREL TO ACTION SHOULD ONLY BE DONE BY A QUALIFIED GUNSMITH
4. THIS DRAWING APPLIES TO THE TAC 338 MODEL ONLY

UNLESS OTHERWISE SPECIFIED:
DIMENSIONS ARE IN INCHES
TOLERANCES:
ANGULAR: MACH±
TWO PLACE DECIMAL ±.010
THREE PLACE DECIMAL ±.005

PROPRIETARY AND CONFIDENTIAL
THE INFORMATION CONTAINED IN THIS DRAWING IS THE SOLE PROPERTY OF STILLER.
ANY REPRODUCTION IN PART OR AS A WHOLE WITHOUT THE WRITTEN PERMISSION OF STILLER IS PROHIBITED.

	NAME	DATE
DRAWN	JR	05/23/2023
CHECKED	RK	05/23/2023
ENG APPR.	AR	05/23/2023

STILLER		TITLE: TENON DRAWING	
		TAC 338	
SIZE	PART NO.	REV	
B	SDE-TD-12	A01	
DO NOT SCALE DRAWING		SHEET 1 OF 1	

8 7 6 5 4 3 2 1